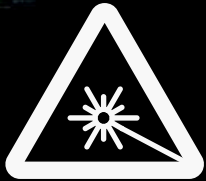


300W LED BSW PRODUCT MANUAL



STARSHINE LIGHTS PRODUCT MANUAL



SPECIFICATION

Power Supply

Power Supply: AC100-240V 50/60HZ

Rated Power: 320W

Light Source Output Power: 270W

Light Source

Light Source: 300W LED Module + 22pcs RGB LED ring

Luminous Flux (8 meters): 10,000 lumens

Light Source Lifespan: 20,000 hours

Fixture Color Temperature: 9000K

Lens

Lens Diameter: 90MM

Zoom Angle: 5°~35°

Control

Four physical buttons

Control panel: LCD display

Control protocol: DMX512 /RDM

DMX channel mode: 18CH 26CH

Pan & Tilt

Pan Movement: 540°

Tilt Movement: 270°

Automatic Pan/Tilt position correction

Resolution: 16 bit

Pan/Tilt lock

Color

1 Static Color Wheel

9 colors plus open

Rotating Gobos

1 Rotating Gobo Wheel

7 Gobo plus open

Gobo: 19.9mm

Image: 8mm

Static Gobo

1 Static Gobo Wheel

9 Gobo plus open

Packing

Product Size: L311xW205xH525mm

Net Weight:13.6kg

Packing Size:52x42x42cm

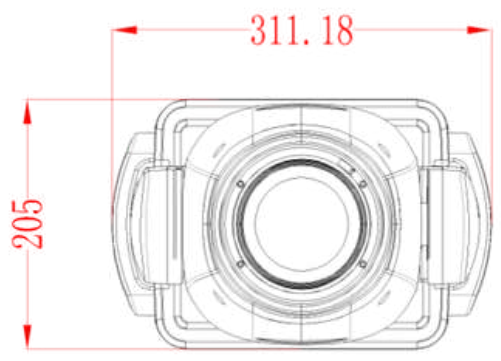
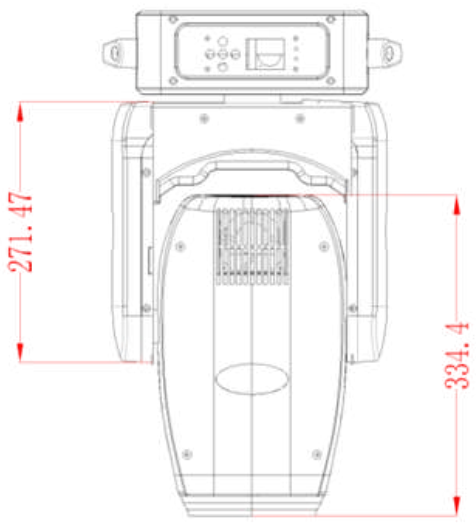
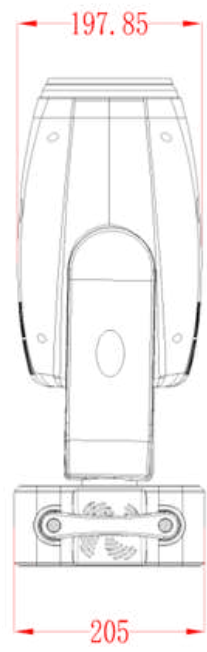
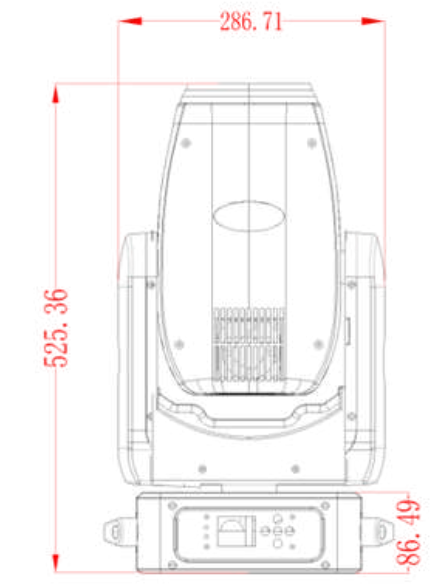
Gross Weight:15.15kg



SIZE



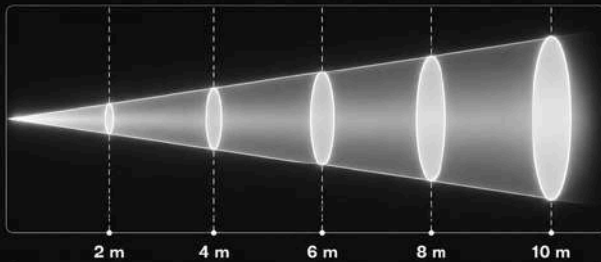
STARSHINE LIGHTS PRODUCT MANUAL





5° BEAM ANGLE

NARROW BEAM · LONG THROW · PRECISE CONTROL



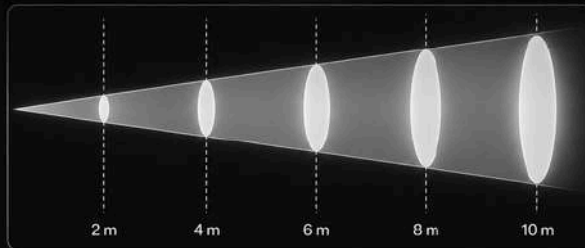
Distance (m)	2	4	6	8	10
Illuminance (LUX)	147000	44000	22000	10400	8200
Diameter (cm)	22	40	60	82	95

PRECISION OPTICS
Focused and efficient

LONG THROW
Maximum reach

CONSISTENT OUTPUT
Reliable performance

35° BEAM ANGLE



DISTANCE (m)	2	4	6	8	10
ILLUMINANCE (LUX)	14200	3900	2100	1300	870
DIAMETER (cm)	71	140	208	295	345

Values are approximate and may vary depending on environment and measurement conditions.

STARSHINE LIGHTS PRODUCT MANUAL

EFFECT

LIGHTING EFFECTS OVERVIEW

1. COLOR WHEEL



2. STATIC GOBO



3. ROTATING GOBOS



4. 4 PRISMS



5. 8 PRISMS





STARSHINE LIGHTS PRODUCT MANUAL

1. Safety & Installation

1.1 Declaration

Thank you for purchasing our product. This fixture is fully inspected and well packaged before delivery. Please follow all instructions for safe and reliable operation. Specifications are subject to change without prior notice.

1.2 Maintenance

- This fixture is designed for professional stage lighting use only.
- If the power cord is damaged, it must be replaced by the manufacturer or an authorized technician.
- The LED module must be replaced by qualified service personnel only.
- Always connect to a grounded, protected power circuit (with circuit breaker or fuse).
- Disconnect power completely when the fixture is not in use to extend service life.
- The fixture may become hot during operation. Install in a well ventilated area.
- Allow the fixture to acclimatize to room temperature before power on to avoid condensation.
- Comply with local regulations regarding strobe light effects (photosensitive epilepsy warning).

1.3 Safety Notes

- Disconnect power before cleaning or replacing fuses.
- Use a safety cable when installing overhead.
- Keep flammable materials at least 20 cm away from the fixture during operation.
- Do not operate if the housing, lens, or cable is damaged.
- Carry the fixture only by handles or mounting brackets.
- Stop operation immediately if any serious malfunction occurs.

1.4 Product Specifications

- Input Voltage: AC 100V-240V, 50/60Hz
- Rated Power: 400W
- LED Source: 300W LED module + 31×0.5W RGB 3-in-1 LEDs
- Lifetime: 50,000 hours
- Color Temperature: 7000K
- Color Wheel: 9 colors + white; rainbow effect; half-step color
- Gobo Wheels:
 - o Rotating gobo wheel: 7 interchangeable gobos + open
 - o Fixed gobo wheel: 8 gobos + open
- Prism: 4 facet + 8 facet prism, rotating, speed adjustable (linear prism + 8 prism optional)
- Beam Angle: 0°-3°
- Zoom Angle: 3°-30°
- Frost Angle: 8°
- Pan: 540° with auto-correction
- Tilt: 270° with auto-correction
- Strobe: 0.5-14Hz adjustable
- Control: 26 DMX channels, DMX512, RDM
- Protection Rating: IP20
- Dimensions: 27.5×18.8×46 cm
- Package Size: 52×42×42 cm
- Gross Weight: 15.15 kg
- Quantity: 1 pc/ctn

2. Display Panel & Button Definition

2.1 Control Panel



- MENU: Enter main menu / Back
- UP: Navigate up / Increase value
- DOWN: Navigate down / Decrease value
- ENTER: Select / Confirm / Save





STARSHINE LIGHTS PRODUCT MANUAL



2.2 Menu Functions

After power on reset, press MENU to enter the main menu (auto exit after 30 seconds).All settings are saved after power off.

Main Menu	Submenu	Description
1.Setting	1.DMX Address	Adjust DMX address 001-512 via UP/DOWN, press ENTER to save. Default: 001.
	2.Encoder	Enable/Disable via UP/DOWN, press ENTER to save. Default: Enable.
	3.Pan Invert	
	4.Tilt Invert	Hold/Blackout via UP/DOWN, press ENTER to save. Default: Blackout.
	5.No Signal	
	6.Power On Lamp	Enable/Disable via UP/DOWN, press ENTER to save. Default: Disable.
	7.Reset	
	8.Advanced Setup	Advanced settings.
2.Run	1.Run Mode	Select DMX/Sound/Auto via UP/DOWN, press ENTER to save. Default: DMX.
	2.Channel Select	Select CH25 via UP/DOWN, press ENTER to save. Default: CH25.
3.Display	1.Language	Chinese/EN via UP/DOWN, press ENTER to save. Default: Chinese.
	2.Invert Display	Enable/Disable via UP/DOWN, press ENTER to save. Default: Disable.
	3.Screensaver	Mode1/Mode2/Mode3/Mode4 via UP/DOWN, press ENTER to save. Default: Mode2.
	4.DMX Indicator	Mode1/Mode2/Mode3 via UP/DOWN, press ENTER to save. Default: Mode1.
	5.Backlight	Adjust value 000-010 via UP/DOWN, press ENTER to save. Default: 010.
4.Manual	1.Pan	Adjust value 000-255 via UP/DOWN, press ENTER to save. Default: 000.
	2.Pan Fine	Adjust value 000-255 via UP/DOWN, press ENTER to save. Default: 000.
	3.Tilt	Adjust value 000-255 via UP/DOWN, press ENTER to save. Default: 000.
	4.Tilt Fine	Adjust value 000-255 via UP/DOWN, press ENTER to save. Default: 000.
	5.Pan/Tilt Speed	Adjust value 000-255 via UP/DOWN, press ENTER to save. Default: 000.
	6.Dimmer	Adjust value 000-255 via UP/DOWN, press ENTER to save. Default: 000.
	7.Strobe	Adjust value 000-255 via UP/DOWN, press ENTER to save. Default: 000.
	8.Color Wheel	Adjust value 000-255 via UP/DOWN, press ENTER to save. Default: 000.
	9.Fixed Gobo	Adjust value 000-255 via UP/DOWN, press ENTER to save. Default: 000.
	10.Rotating Gobo	Adjust value 000-255 via UP/DOWN, press ENTER to save. Default: 000.
	11.Gobo Rotation	Adjust value 000-255 via UP/DOWN, press ENTER to save. Default: 000.
	12.Frost	Adjust value 000-255 via UP/DOWN, press ENTER to save. Default: 000.



STARSHINE LIGHTS PRODUCT MANUAL



4.Manual	13.Prism1	Adjust value 000-255 via UP/DOWN, press ENTER to save. Default: 000.
	14.Prism1 Rotate	Adjust value 000-255 via UP/DOWN, press ENTER to save. Default: 000.
	15.Focus	Adjust value 000-255 via UP/DOWN, press ENTER to save. Default: 000.
	16.Zoom	Adjust value 000-255 via UP/DOWN, press ENTER to save. Default: 000.
	17.Reset	Adjust value 000-255 via UP/DOWN, press ENTER to save. Default: 000.
	18.Strobe	Adjust value 000-255 via UP/DOWN, press ENTER to save. Default: 000.
	19.Dimmer	Adjust value 000-255 via UP/DOWN, press ENTER to save. Default: 000.
	20.Red	Adjust value 000-255 via UP/DOWN, press ENTER to save. Default: 000.
	21.Green	Adjust value 000-255 via UP/DOWN, press ENTER to save. Default: 000.
	22.Blue	Adjust value 000-255 via UP/DOWN, press ENTER to save. Default: 000.
	23.Color	Adjust value 000-255 via UP/DOWN, press ENTER to save. Default: 000.
	24.Mode	Adjust value 000-255 via UP/DOWN, press ENTER to save. Default: 000.
	25.Speed	Adjust value 000-255 via UP/DOWN, press ENTER to save. Default: 000.
5.Factory Setup	Enter Password:138	Enter 138 via UP/DOWN, press ENTER to access.
	1.Pan Calibration	Adjust 000-255, ENTER to save. Default:128.
	2.Tilt Calibration	Adjust 000-255, ENTER to save. Default:128.
	3.Color Wheel Calibration	Adjust 000-255, ENTER to save. Default:128.
	4.Fixed Gobo Calibration	Adjust 000-255, ENTER to save. Default:128.
	5.Strobe Calibration	Adjust 000-255, ENTER to save. Default:128.
	6.Strobe Stroke	Adjust 000-255, ENTER to save. Default:128.
	7.Strobe Half Step	Adjust 000-255, ENTER to save. Default:128.
	8.Focus Calibration	Adjust 000-255, ENTER to save. Default:128.
	9.Focus Stroke	Adjust 000-255, ENTER to save. Default:128.
	10.Prism1 Stroke	Adjust 000-255, ENTER to save. Default:128.
11.Prism1 Half Step	Adjust 000-255, ENTER to save. Default:128.	



STARSHINE LIGHTS PRODUCT MANUAL



	12.Prism2 Stroke	Adjust 000-255, ENTER to save. Default:128.
	13.Prism2 Half Step	Adjust 000-255, ENTER to save. Default:128.
	14.Frost Stroke	Adjust 000-255, ENTER to save. Default:128.
	15.Frost Half Step	Adjust 000-255, ENTER to save. Default:128.
	16.RGB Stroke	Adjust 000-255, ENTER to save. Default:128.
	17.RGB Half Step	Adjust 000-255, ENTER to save. Default:128.
	18.Rotating Gobo Calibration	Adjust 000-255, ENTER to save. Default:128.
	19.Rotating Gobo Auto Calib	Adjust 000-255, ENTER to save. Default:128.
	20.Zoom Calibration	Adjust 000-255, ENTER to save. Default:128.
	21.Zoom Stroke	Adjust 000-255, ENTER to save. Default:128.
	22.Uniform Stroke	Adjust 000-255, ENTER to save. Default:128.
	23.Uniform Half Step	Adjust 000-255, ENTER to save. Default:128.
	24.Iris Stroke	Adjust 000-255, ENTER to save. Default:128.
	25.Iris Half Step	Adjust 000-255, ENTER to save. Default:128.
5.Factory Setup	26.CMYC Calibration	Adjust 000-255, ENTER to save. Default:128.
	27.CMYM Calibration	Adjust 000-255, ENTER to save. Default:128.
	28.CMY Y Calibration	Adjust 000-255, ENTER to save. Default:128.
	29.Fine Tune1	Adjust 000-255, ENTER to save. Default:128.
	30.Fine Tune2	Adjust 000-255, ENTER to save. Default:128.
	31.Fine Tune3	Adjust 000-255, ENTER to save. Default:128.
	32.Fine Tune4	Adjust 000-255, ENTER to save. Default:128.
	33.Pan Speed	Adjust 000-255, ENTER to save. Default:128.
	34.Pan Stroke	Adjust 000-255, ENTER to save. Default:128.
	35.Pan Current	Adjust 000-255, ENTER to save. Default:128.
	36.Tilt Speed	Adjust 000-255, ENTER to save. Default:128.
	37.Tilt Stroke	Adjust 000-255, ENTER to save. Default:128.
	38.Tilt Current	Adjust 000-255, ENTER to save. Default:128.
	39.Fan Speed	Adjust 3000-9500, ENTER to save. Default:6450.
	40.Timer Reset	Yes/No via UP/DOWN, ENTER to save. Default:No.



STARSHINE LIGHTS PRODUCT MANUAL



5.Factory Setup	41.Half Power	Enable/Disable via UP/DOWN, ENTER to save. Default:Disable.
	42.Fan Control	Always On/Switch/Speed Ctrl, ENTER to save. Default:Always On.
	43.Logo	Adjust 000-001, ENTER to save. Default:000.
	44.White Speed	Adjust 3000-9500, ENTER to save. Default:6450.
	45.Blackout Speed	Adjust 3000-9500, ENTER to save. Default:4500.
	46.Color Speed	Adjust 3000-9500, ENTER to save. Default:6100.
	47.Speed1	Adjust 3000-9500, ENTER to save. Default:6450.
	48.Speed2	Adjust 3000-9500, ENTER to save. Default:6450.
	49.Temperature	Adjust 040-080, ENTER to save. Default:075.
	50.LED Current	Adjust 032-255, ENTER to save. Default:252.
6.Info	Sensor	View Hall status and temperature communication status.
	Error Info	Display error messages.
	Fixture Info	Display communication, temp, fan speed, etc.
	Channel Info	Display DMX channel data.
	Version Info	Display software/hardware versions.
	Time Info	Lamp on time, fixture time, remaining time.

3. Master/Slave Control

- Connect two or more identical fixtures with 3 pin DMX cable.
- Set any valid DMX address (001-512) for all fixtures.
- Set one fixture as master; others become slaves.
- All slaves synchronize with the master's programs.

Notes:

- Only one master per group.
- Master/Slave works only when DMX console is disconnected.

4. DMX512 Control

4.1 DMX Address

Set the DMX address. Connect all fixtures in parallel to the console.A steady display means DMX signal is received.

4.2 CH26 DMX Channel Table

Channel	Function Name	Value Description
1	X Axis (Pan)	0-255
2	X Axis Fine	0-255
3	Y Axis (Tilt)	0-255
4	Y Axis Fine	0-255
5	XY Speed	0-255
6	Dimmer	0-255



STARSHINE LIGHTS PRODUCT MANUAL



5.Factory Setup	41.Half Power	Enable/Disable via UP/DOWN, ENTER to save. Default:Disable.
	42.Fan Control	Always On/Switch/Speed Ctrl, ENTER to save. Default:Always On.
	43.Logo	Adjust 000-001, ENTER to save. Default:000.
	44.White Speed	Adjust 3000-9500, ENTER to save. Default:6450.
	45.Blackout Speed	Adjust 3000-9500, ENTER to save. Default:4500.
	46.Color Speed	Adjust 3000-9500, ENTER to save. Default:6100.
	47.Speed1	Adjust 3000-9500, ENTER to save. Default:6450.
	48.Speed2	Adjust 3000-9500, ENTER to save. Default:6450.
	49.Temperature	Adjust 040-080, ENTER to save. Default:075.
	50.LED Current	Adjust 032-255, ENTER to save. Default:252.
6.Info	Sensor	View Hall status and temperature communication status.
	Error Info	Display error messages.
	Fixture Info	Display communication, temp, fan speed, etc.
	Channel Info	Display DMX channel data.
	Version Info	Display software/hardware versions.
	Time Info	Lamp on time, fixture time, remaining time.

3. Master/Slave Control

- Connect two or more identical fixtures with 3 pin DMX cable.
- Set any valid DMX address (001-512) for all fixtures.
- Set one fixture as master; others become slaves.
- All slaves synchronize with the master's programs.

Notes:

- Only one master per group.
- Master/Slave works only when DMX console is disconnected.

4. DMX512 Control

4.1 DMX Address

Set the DMX address. Connect all fixtures in parallel to the console.A steady display means DMX signal is received.

4.2 CH26 DMX Channel Table

Channel	Function Name	Value Description
1	X Axis (Pan)	0-255
2	X Axis Fine	0-255
3	Y Axis (Tilt)	0-255
4	Y Axis Fine	0-255
5	XY Speed	0-255
6	Dimmer	0-255



STARSHINE LIGHTS PRODUCT MANUAL



7	Strobe	<p>0-3 Lighting on 4-99 Synchronous strobe 100-149 Pulse strobe 150-199 Burst strobe 200-249 Random strobe 250-255 Lighting on</p>
8	Color	<p>0-13 White 14-19 Color 1 20-25 Color 2 26-31 Color 3 32-37 Color 4 38-43 Color 5 44-49 Color 6 50-55 Color 7 56-61 Color 8 62-67 Color 9 68-73 White + Color 1 74-79 Color 1 + Color 2 80-85 Color 2 + Color 3 86-91 Color 3 + Color 4 92-97 Color 4 + Color 5 98-103 Color 5 + Color 6 104-109 Color 6 + Color 7 110-115 Color 7 + Color 8 116-121 Color 8 + Color 9 122-127 Color 9 + White 128-189 Counterclockwise flow (fast to slow) 190-193 Stop flow 194-255 Clockwise flow (slow to fast)</p>
9	Fixed Gobo	<p>0-13 White hole 14-24 Gobo 1 25-35 Gobo 2 36-46 Gobo 3 47-57 Gobo 4 58-68 Gobo 5 69-79 Gobo 6 80-90 Gobo 7 91-101 Gobo 8 102-112 Gobo 1 shake (slow to fast) 113-123 Gobo 2 shake (slow to fast) 124-134 Gobo 3 shake (slow to fast) 135-145 Gobo 4 shake (slow to fast) 146-156 Gobo 5 shake (slow to fast) 157-167 Gobo 6 shake (slow to fast) 168-178 Gobo 7 shake (slow to fast) 179-189 Gobo 8 shake (slow to fast) 190-221 Counterclockwise flow (fast to slow) 222-223 Stop flow 224-255 Clockwise flow (slow to fast)</p>
10	Rotating Gobo	<p>0-14 White hole 15-29 Gobo 1 30-44 Gobo 2 45-59 Gobo 3 60-74 Gobo 4 75-89 Gobo 5 90-104 Gobo 6 105-119 Gobo 7 120-129 Gobo 1 shake (slow to fast) 130-139 Gobo 2 shake (slow to fast) 140-149 Gobo 3 shake (slow to fast) 150-159 Gobo 4 shake (slow to fast) 160-169 Gobo 5 shake (slow to fast) 170-179 Gobo 6 shake (slow to fast) 180-189 Gobo 7 shake (slow to fast) 190-221 Counterclockwise flow (fast to slow) 222-223 Stop flow 224-255 Clockwise flow (slow to fast)</p>



STARSHINE LIGHTS PRODUCT MANUAL



25	Dynamic Effect	0-4 No function 5-9 Effect 1 10-14 Effect 2 15-19 Effect 3 20-24 Effect 4 25-29 Effect 5 30-34 Effect 6 35-39 Effect 7 40-44 Effect 8 45-49 Effect 9 50-54 Effect 10 55-59 Effect 11 60-64 Effect 12 65-69 Effect 13 70-74 Effect 14 75-79 Effect 15 80-84 Effect 16 85-89 Effect 17 90-94 Effect 18 95-99 Effect 19 100-104 Effect 20 105-109 Effect 21 110-114 Effect 22 115-119 Effect 23 120-124 Effect 24 125-129 Effect 25 130-134 Effect 26 135-139 Effect 27 140-144 Effect 28 145-149 Effect 29 150-154 Effect 30 155-159 Effect 31 160-164 Effect 32 165-169 Effect 33 170-174 Effect 34 175-179 Effect 35 180-184 Effect 36 185-189 Effect 37 190-194 Effect 38 195-199 Effect 39 200-204 Effect 40 205-209 Effect 41 210-214 Effect 42 215-219 Effect 43 220-224 Effect 44 225-229 Effect 45 230-234 Effect 46 235-239 Effect 47 240-244 Effect 48 245-249 Effect 49 250-254 Effect 50 255 Effect 51
26	Effect Speed	0-127 Forward (slow to fast) 128-255 Reverse (slow to fast)

5. Troubleshooting

Disconnect power before maintenance. Contact qualified technicians for unresolved problems.

1. LED does not light

- o Check input voltage.
- o Check power connection.
- o Check power supply.
- o Verify DMX control signal.

2. No DMX response after reset

- o Check DMX address and mode.
- o Check DMX cable and connections.
- o Use shielded twisted pair cable.
- o Add signal amplifier or 120Ω terminator.

3. Fixture cannot start

- o Check voltage and power connections.
- o Check internal wires and connectors.
- o Check PCB, power board, and electronic components.