

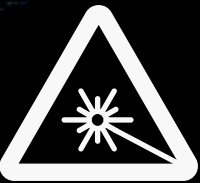
RGB 30W 33W LASER MODULE PRODUCT MANUAL



RGB 30 W

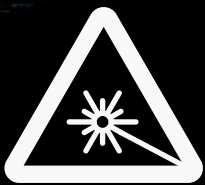
It is lightweight, convenient, easy to integrate, has good spot quality, stable performance, and high modulation efficiency. It is widely used in stage lighting, laser projection, outdoor lighting, laser positioning, laser communication, spectrum analysis, etc.

Wavelength range (nm)	638±5	525±5	445±5	450±5
Output power(W)	8.5	10	8	4.5
Spot type	Fiber shaping			
Power stability (rms , over 4 hours)	<1			
Working Mode	CW			
Light spot at exit (1/e2, mm)	6.5*7			
Light spot at 10 meters (1/e2, mm)	20*20			
Light spot at 20 meters (1/e2, mm)	35*30			
Beam divergence (mrad)	1.0Mard			
Warm-up time (minutes)	<1minutes			
Light output height (mm)	40			
Working temperature(°C)	-20 °C ~40 °C			
power supply	DC 24V		LMF500-23B24UH	
Analog modulation (0~5V)	>2V Full power light output, <2V Close the light		≈0.12V~4.95V	
Life expectancy (hours)	10000			
Warranty period	2years			



STARSHINE LIGHTS PRODUCT MANUAL





STARSHINE LIGHTS PRODUCT MANUAL



RGB 33 W

It is lightweight, convenient, easy to integrate, has good spot quality, stable performance, and high modulation efficiency. It is widely used in stage lighting, laser projection, outdoor lighting, laser positioning, laser communication, spectrum analysis, etc.

Wavelength range (nm)	638±5	525±5	450±5
Output power(W)	8.5	10	15
Spot type	Fiber shaping		
Power stability (rms , over 4 hours)	<1		
Working Mode	CW		
Light spot at exit (1/e2, mm)	6.5*7		
Light spot at 10 meters (1/e2, mm)	20*20		
Light spot at 20 meters (1/e2, mm)	35*30		
Beam divergence (mrad)	1.0Mard		
Warm-up time (minutes)	<1minutes		
Light output height (mm)	40		
Working temperature(°C)	-20 °C ~40 °C		
power supply	DC 24V	LMF500-23B24UH	
Analog modulation (0~5V)	>2V Full power light output, <2V Close the light	≈0.12V~4.95V	
Life expectancy (hours)	10000		
Warranty period	2years		

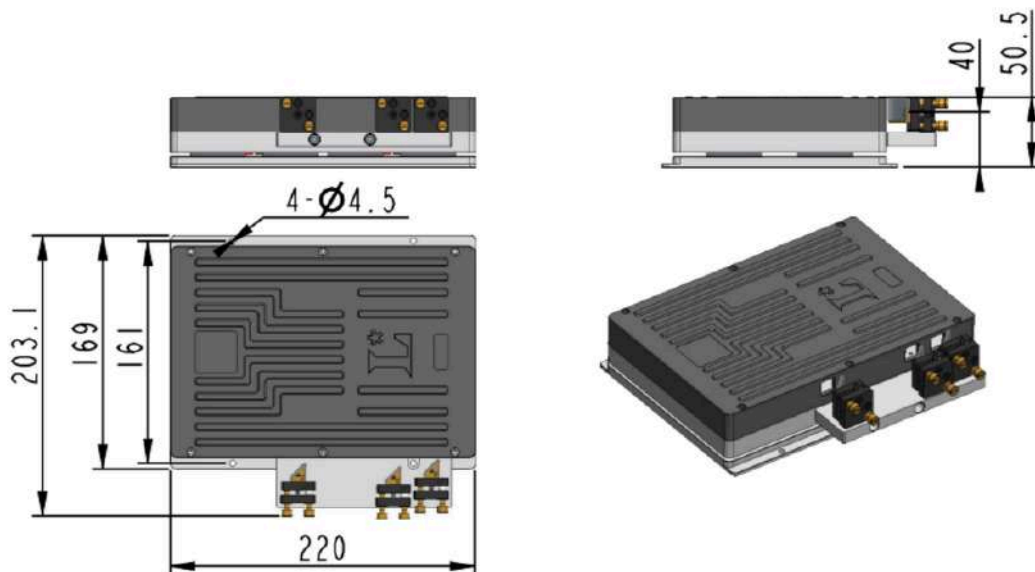
Precautions:

- ★1. Lasers are potentially harmful to the human body and eyes. It is strictly forbidden to irradiate others with lasers, especially their eyes.
- ★2. The power supply itself has no key switch, and the power board and input wires are exposed. When the laser is connected to or removed from the circuit, it must be operated in a power-off state to prevent electric shock.
- ★3 It must be ensured that the temperature of the laser head shell is close to the appropriate operating temperature before the laser is turned on to avoid excessive temperature differences, which may affect the performance of the laser or damage the device.
- ★4. This product should be used in a dry, clean and static-free environment. The working environment temperature is 15-50°C. Avoid high temperature, high humidity and severe vibration and impact.
- ★5. Please do not adjust the potentiometer on the power board at will to avoid excessive current and damage to the circuit board or laser.
- ★6. Please take measures for external heat dissipation of the casing and try to keep the heat dissipation air path of the casing consistent with the heat dissipation air path of the module to prevent excessive temperature from affecting or damaging the laser.
- ★7. The voltage of this product is DC-24V. Please do not connect it to other power sources to avoid damaging the laser.



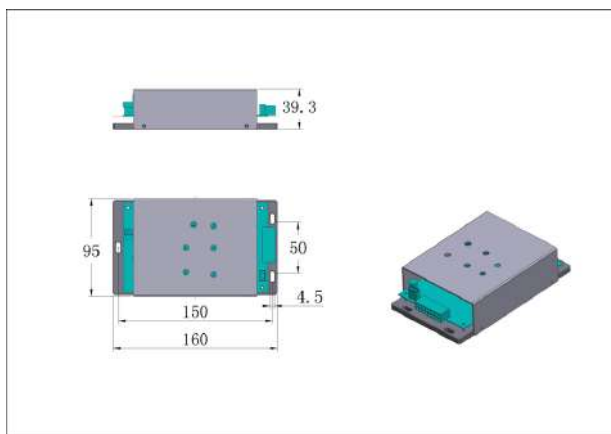
Module size

220(L) × 203.1(W) × 50.5(H) mm³

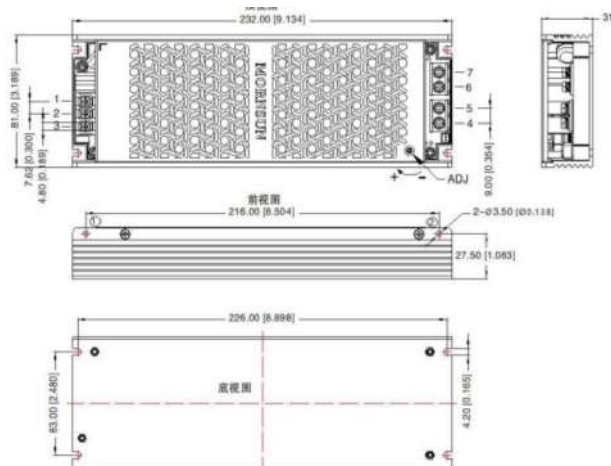


Module driver*2

LMF350-23B48UH*1



160(L) × 95(W) × 39.3(H) mm³



232(L) × 82(W) × 31(H) mm³

